

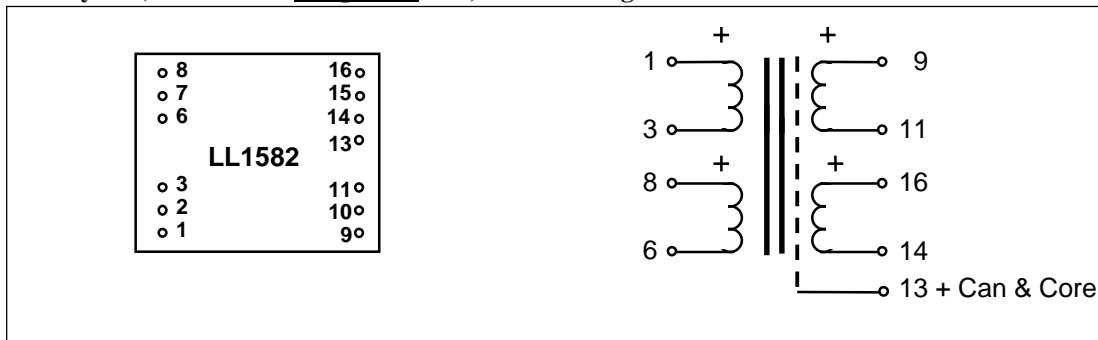
Audio Output Transformer LL1582

LL1582 is an audio output transformer for balanced or unbalanced drive, with the following features:

1. Pin compatible with the popular LL2811
2. With internal shields to improve common mode passthrough rejection. This is important in analog output from digital systems.
3. Suggested use: 2 : 1 (secondaries in parallel) with e.g. NE5532 op amps for low noise.
4. Precision made audio C core for small size.
5. Two-coil structure and mu-metal housing for high magnetic noise immunity.
6. Designed to fit three in a row across a Euroboard.

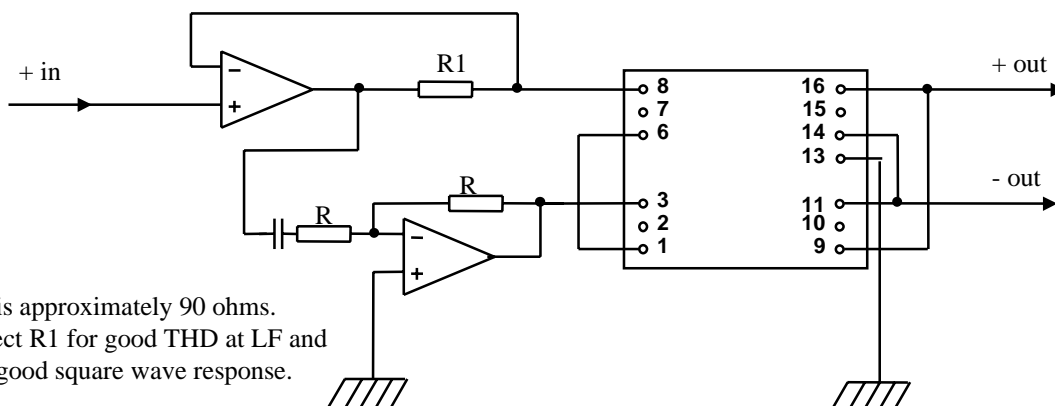
The secondaries can be connected in parallel for low output impedance or in series for high output level.

Turns ratio: 1 + 1: 1 + 1
Dims: (Length x Width x Height above PCB (mm)) 31 x 26x 23
Pin Layout (viewed from component side) and Windings Schematics:



Spacing between pins: 2.54 mm (0.1")
Spacing between rows of pins: 22.86 mm (0.9")
Weight: 65 g
Rec. PCB hole diameter: 1.5 mm
Static resistance of each primary (average): 45 Ω
Static resistance of each secondary (average): 45 Ω
Max. primary level (primaries in series) +30 dBU @ 50 Hz
Leakage inductance (windings in series): < 1 mH
No-load impedance(primaries in series, primary level): > 750 Ω @ 50 Hz, +20 dBU
Balance of output (according to IRT, source < 10 Ω , Load 600 Ω)
 Output windings in parallel 60 dB
 Output windings in series >50 dB
Frequency response (source 10 Ω, load 600 Ω, 0 dBU): 10 Hz -- 100 KHz +/- 0.3 dB
Isolation between primary and secondary windings/between windings and shield: 4 kV / 2 kV

Suggested design of driving circuitry, mixed feedback, 2:1, suggested by A. Offenbergl, NRK



R1 is approximately 90 ohms.
 Select R1 for good THD at LF and for good square wave response.